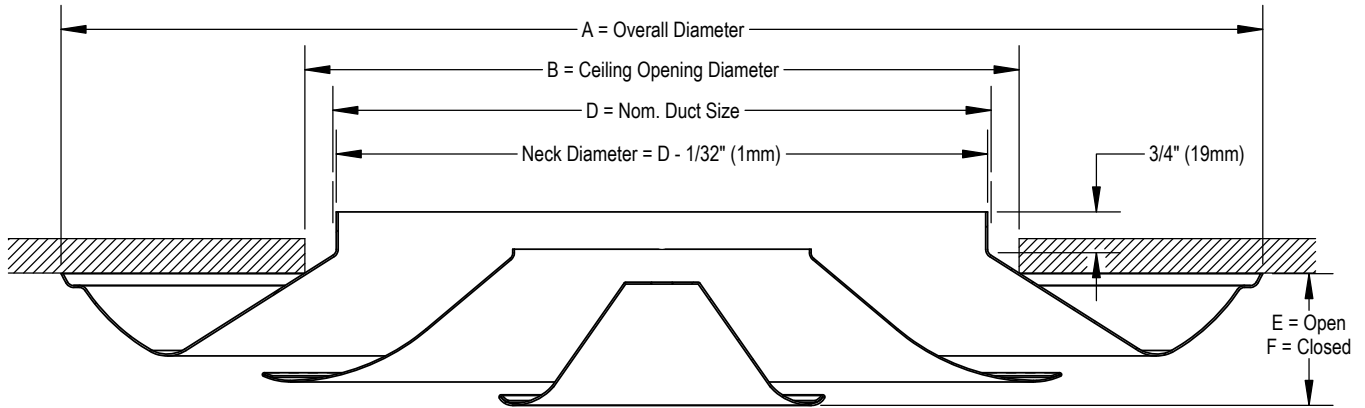
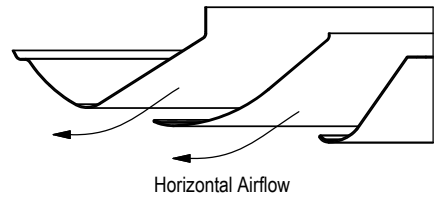


**RCDE Round Cone Diffuser**



Nom. Size	A	B	D	E	F
6	11 1/8" (283mm)	6 1/2" (165mm)	6" (152mm)	1 3/4" (44mm)	1 1/8" (29mm)
8	14 3/4" (375mm)	8 1/2" (216mm)	8" (203mm)	2 1/8" (54mm)	1 1/2" (38mm)
10	18 1/4" (464mm)	10 1/2" (267mm)	10" (254mm)	2 7/8" (73mm)	2 1/8" (54mm)
12	22" (559mm)	12 1/2" (318mm)	12" (305mm)	3 1/8" (79mm)	2 3/8" (60mm)
14	26" (660mm)	14 1/2" (368mm)	14" (356mm)	3 3/4" (95mm)	2 5/8" (67mm)
16	29" (737mm)	16 1/2" (419mm)	16" (406mm)	4" (102mm)	3 1/4" (83mm)
18	32 1/2" (826mm)	18 1/2" (470mm)	18" (457mm)	4 3/4" (121mm)	3 7/8" (98mm)
20	36" (914mm)	20 1/2" (521mm)	20" (508mm)	5 7/8" (149mm)	3 7/8" (98mm)
24	43 1/4" (1099mm)	24 1/2" (622mm)	24" (610mm)	7 3/4" (197mm)	6 5/8" (168mm)

**DETAIL VIEW:**



Scan for link to additional product information and installation instructions

**MATERIAL:**

- Heavy gauge steel

**FINISH:**

- Standard Finish:
- B12 - Standard White

**NOTE:**

- Horizontal pattern, two position adjustment
- Tool free removal of inner cone assembly
- Factory tolerance  $\pm 1/32"$  (1mm)

Optional finishes available:

- Optional colors
- Custom colors
- See finishes brochure for additional information. Contact your PRICE representative for leadtimes and pricing.

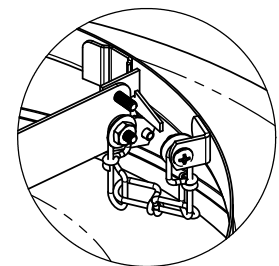
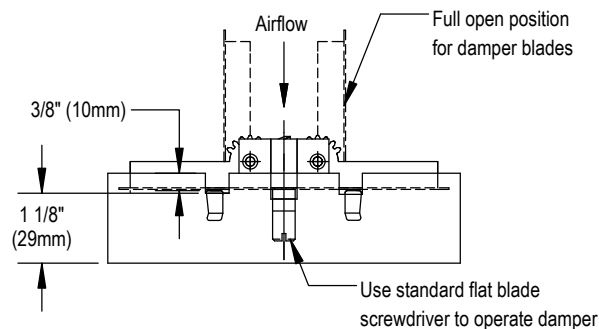
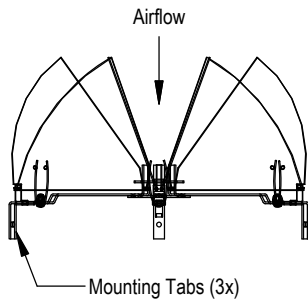
**OPTIONS:**

DAMPERS (shipped loose)

- VCR7 - Steel radial opposed blade damper (sizes 6" to 24")
- VCR8 - Steel full flow damper, duct mounted (sizes 6" to 14")

**ACCESSORY:**

- SC - Safety Chain



ALL METRIC DIMENSIONS ( ) ARE SOFT CONVERTED. IMPERIAL DIMENSIONS ARE CONVERTED TO METRIC AND ROUNDED TO THE NEAREST MILLIMETER

<b>PROJECT:</b>		<b>PRICE</b> <sup>®</sup>	
<b>ENGINEER:</b>			
<b>CUSTOMER:</b>		<b>210474</b>	
<b>SUBMITTAL DATE:</b>	<b>SPEC. SYMBOL:</b>	<b>2023-02-08</b>	